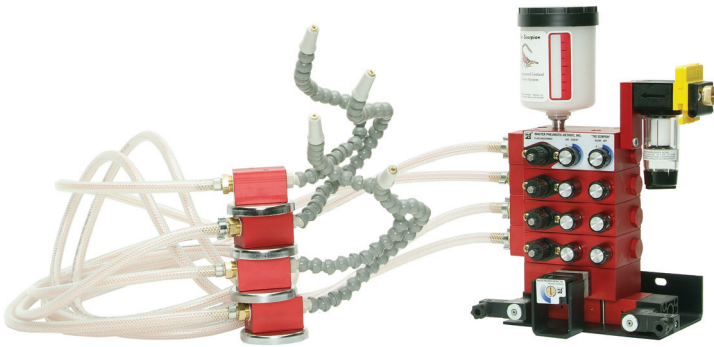


# SCORPION

## Solenoid or Pneumatic Actuation

## Series 800, 830, 850



Model Shown: 8504

- ◆ Servo-Meter injector. 1-Drop capacity; optional 2-drop and 1/2-drop capacities.
- ◆ Up to four injectors and nozzles can be used.
- ◆ Patented blowoff feature.
- ◆ Snaplock® coolant dispensing nozzle. Optional copper nozzles.
- ◆ Braided PVC hose.
- ◆ Magnetic nozzle base.
- ◆ 10-Ounce capacity coolant reservoir.
- ◆ NPTF port threads; optional BSPP threads.

### SPECIFICATIONS

**Ambient/Media Temperature:**

40° to 125°F (4° to 52°C).

**Body Blocks:** Anodized aluminum.

**Hose:** 6-Ft braided PVC; longer or shorter hose optional in 1-foot increments.

**Injector:** 1-Drop-rated Servo-Meter; 0 to 0.027 ml per pulse. Optional 2-drop-rated Servo-Meter; 0 to 0.060 ml per pulse. Injection frequency up to 100 pulses per minute.

**Inlet Port:**

1/4 NPTF; optional 1/8 NPTF and BSPP threads.

**Inlet Pressure:** 60 to 120 psig (4 to 8 bar).

**Nozzle:** Snaplock® with 12-inch flexible segmented plastic. Optional 18-inch or 24-inch lengths. Optional copper nozzles.

**On/Off Control:** Manual. Optional solenoid control with or without blowoff feature.

**Reservoir:** Integral semi-clear polypropylene with 10-ounce (300 ml) capacity. Optional 1-quart and 2-quart capacities. Also no-reservoir option for use with remote reservoir.

**Seals:** Air, nitrile; oil, Viton.

**Solenoid Voltages:** (With optional solenoid)

110 or 220 volts, 50/60 Hz; 24 volts D.C.

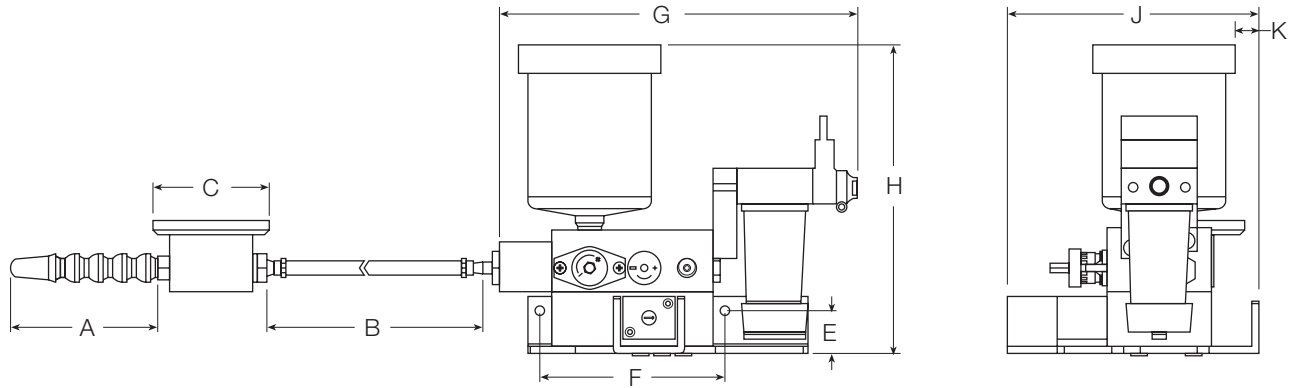
### BASIC SYSTEMS

Three basic Scorpion systems are described below. They will satisfy the requirements of most coolant applications, and can be ordered by the 4-digit numbers given in the descriptions. However, to order a system with additional options see Ordering Information on the facing page.

**System 8001:** Single nozzle with manual on/off control. Can be ordered with 2, 3, or 4 nozzles by changing the last digit to the number of nozzles wanted. For example, a 3-nozzle system would be ordered by number 8003.

**System 8301:** Single nozzle with solenoid on/off control. 110 volts, 50/60 Hz. Can be ordered with 2, 3, or 4 nozzles by changing the last digit to the number of nozzles wanted. For example, a 4-nozzle system would be ordered by number 8304.

**System 8501:** Single nozzle with solenoid on/off control with blowoff feature. 110 volts, 50/60 Hz. Can be ordered with 2, 3, or 4 nozzles by changing the last digit to the number of nozzles wanted. For example, a 2-nozzle system would be ordered by number 8502.



**DIMENSIONS** inches (mm)

Dimension	Manual On/Off	Solenoid On/Off	Solenoid On/Off Plus Blowoff	Add for Each Additional Nozzle Assembly
A	12 (305) Std.	12 (305) Std.	12 (305) Std.	—
B	72 (1829) Std.	72 (1829) Std.	72 (1829) Std.	—
C	2.62 (67)	2.62 (67)	2.62 (66.7)	—
E	0.9 (23)	0.9 (23)	0.9 (23)	—
F	4.4 (112)	4.4 (112)	4.4 (112)	—
G	8.3 (211)	8.3 (211)	8.3 (211)	—
H	7.4 (188)	9.1 (231)	9.1 (231)	1.3 (33)
J	5.9 (150)	5.9 (150)	5.9 (150)	—
K	0.5 (13)	0.5 (13)	0.5 (13)	—

**SCORPION and LIQUID DISPENSERS**

**ORDERING INFORMATION**

Change the letters in the sample model number below to specify the Scorpion assembly you want.

**80 0 A 1 1 0 0 1 T 06 K A 1**

**ON/OFF ACTUATION**

- Manual ..... 80
- Solenoid ..... 83
- Solenoid with blowoff ..... 85

**SOLENOID VOLTAGE**

- No solenoid (Series 80 only) ..... 0
- 110 volts, 50/60 Hz (Series 83, 85) ..... C
- 220 volts, 50/60 Hz (Series 83, 85) ..... F
- 24 volts, D.C. (Series 83, 85) ..... E

**BRACKETS**

- With standard bottom bracket only ..... A
- With standard bottom bracket plus extended back bracket ..... D

**NUMBER OF NOZZLES**

Specify number from 1 to 4.

**INJECTOR RATING**

- 1 Drop (Standard) ..... 1
- 2 Drops ..... 2
- 1/2 drop ..... 5

**RESERVOIR:**

- 10-Ounce capacity ..... 0
- No reservoir ..... 1
- 1 Qt with mounting plate ..... 2
- 2 Qt with mounting plate ..... 3

**NOZZLE TIP**

- Standard conical nozzle ..... 1
- Fantip nozzle ..... 2

**PLASTIC NOZZLE LENGTH**

- 12 inches (305 mm) ..... A
- 18 inches (457 mm) ..... B
- 24 inches (610 mm) ..... C

**NOZZLE TYPE**

- Copper ..... H
- Snaplock® ..... K

**HOSE LENGTH**

- Standard PVC (6 feet) ..... 06
- Specify desired length (in feet) with two digits. For example, 08 for 8 feet, 12 for 12 feet ..... \*\*

**INLET PORT with SENTRY FILTER**

- 1/8 NPTF ..... 1
- 1/4 NPTF ..... 2
- 1/8 BSPP ..... A
- 1/4 BSPP ..... B

**NOZZLE BASE ("C" in drawing above)**

- Magnetic ..... 0
- No base ..... 1