

SCORPION Jr. Pneumatic Actuation

Series 890



Model Shown: 8901

- ◆ Operated by pneumatic pulse.
- ◆ Up to four injectors and nozzles can be used.
- ◆ Servo-Meter injector. 1-Drop capacity; optional 2-drop and 1/2-drop capacities.
- ◆ Snaplock® coolant dispensing nozzle. Optional copper nozzles.
- ◆ Optional magnetic nozzle base.
- ◆ Optional 10-ounce capacity coolant reservoir.
- ◆ NPTF port threads; optional BSPP threads.

SPECIFICATIONS

Ambient/Media Temperature:

40° to 125°F (4° to 52°C).

Body Blocks: Anodized aluminum.

Hose: Optional 6 feet long braided PVC. Longer or shorter hose in 1-foot increments.

Injector: 1-Drop-rated Servo-Meter; 0 to 0.027 ml per pulse. Optional 2-drop-rated Servo-Meter; 0 to 0.060 ml per pulse. Up to four injectors can be used. Injection frequency up to 100 pulses per minute.

Inlet Port:

1/8 NPTF; optional 1/4 NPTF. Optional BSPP threads.

Inlet Pressure: 60 to 120 psig (4 to 8 bar).

Nozzle: Snaplock® with 12-inch flexible segmented plastic. Optional 18-inch or 24-inch lengths. Optional copper nozzles and fan tips.

On/Off Control: Manual.

Reservoir: Optional integral clear plastic with 10-ounce (300 ml) capacity.

Seals: Air, nitrile; oil, Viton.

BASIC SYSTEMS

Four basic Scorpion Jr. systems are described below. They will satisfy the requirements of many coolant applications, and can simply be ordered by the 4-digit model numbers given in the descriptions. However, to order a system with additional options see Ordering Information on the facing page.

Model 8901: One-injector system.

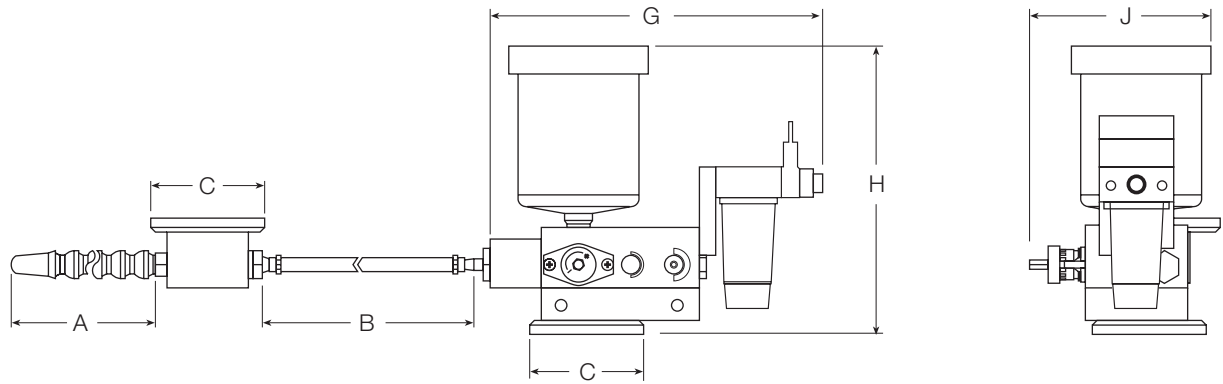
Model 8902: Two-injector system.

Model 8903: Three-injector system.

Model 8904: Four-injector system

Each of the above includes:

- 1/8 NPTF inlet port
- One-drop injectors
- 12-Inch Snaplock® nozzle
- No filter



DIMENSIONS inches (mm)

Dimension		Add for Each Additional Nozzle Assembly
A	12 (305) Std.	—
B	72 (1830) Std.	—
C	2.6 (66)	—
G	5.3 (135)	—
H	7.2 (183)	1.3 (33)
J	4.3 (109)	—

ORDERING INFORMATION

Change the letters in the sample model number below to specify the Scorpion Jr. assembly you want.

8900 1 1 0 0 1 A 00 K B 1

NUMBER OF INJECTORS/NOZZLES

Specify number from 1 to 4.

INJECTOR RATING

- 1 Drop (standard)..... 1
- 2 Drops 2
- 1/2 Drop..... 5

RESERVOIR

- 10-Ounce capacity 0
- None 1
- 10-Ounce capacity (no coolant) 4

MOUNTING BLOCK BASE (See C in dimensional drawing above.)

- Magnetic 0
- No base 1

INLET PORT and FILTER

- 1/8 NPTF (with Sentry filter) 1
- 1/4 NPTF (with Sentry filter) 2
- 1/8 NPTF (without filter) 0
- 1/8 BSPP (with Sentry filter)..... A
- 1/4 BSPP (with Sentry filter)..... B
- 1/8 BSPP (without filter)..... C
- 1/4 BSPP (without filter)..... D

NOZZLE

- Standard conical tip..... 1
- Fan tip..... 2

NOZZLE LENGTH

- 12 inches (305 mm)..... A
- 18 inches (457 mm)..... B
- 24 inches (610 mm)..... C
- 36 inches (914 mm)..... D

NOZZLE TYPE

- Copper..... H
- Snaplock® K

HOSE LENGTH

- None 00
- 6 Feet (1.8 m) with base C in dimensional drawing above 06
- Specify desired length (in feet) with two digits. For example, 08 for 8 feet, 12 for 12 feet **

HOSE TYPE

- None A
- Braided PVC hose T