

# Electronically Controlled WARRIOR Drain

The **WARRIOR** drain is designed to remove condensate from components in compressed air systems. Typical installations include compressors, dryers, receivers, driplegs, and filters.

The drain consists of a timer and a valve. Electronic controls allow the draining interval to be set from 0.5 to 45 minutes, and the drain time from 0.5 to 10 seconds. Once set, draining action is automatic and requires no maintenance. This is important in constant-flow applications where there is no on-off action to trigger a standard automatic drain.



Model Shown: DED-115V-2

## SPECIFICATIONS

**Drain Time:** Adjustable 0.5 to 10 seconds.

**Drain Interval:** Adjustable 0.5 to 45 minutes.

**Current Consumption:** 4 ma maximum.

**Ambient Temperature:** 35° to 130°F (2° to 54°C).

**Media Temperature:** 35° to 190°F (2° to 88°C).

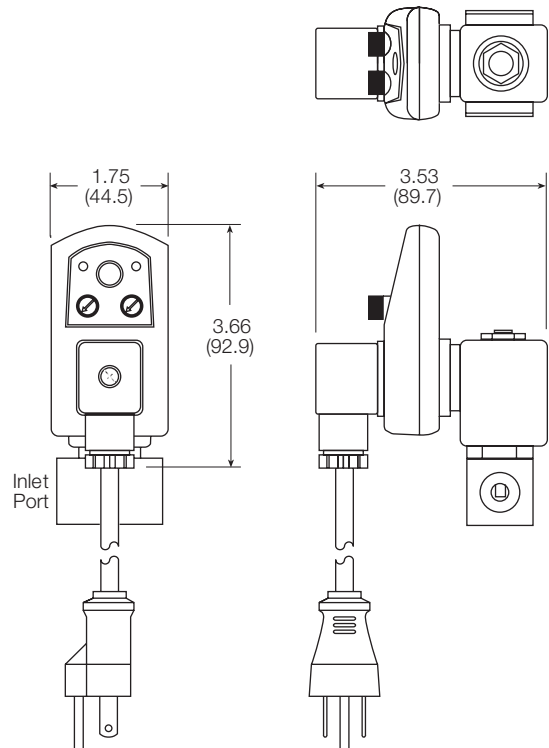
**Electrical Connection:** DIN 43650A, ISO 440/6952.

**Valve Type:** 2/2 direct acting, normally closed.

**Valve Body:** Forged brass; 3/16-inch (4.8 mm) orifice.

**Maximum Pressure:** 230 psig (16 bar).

## DIMENSIONS inches (mm)



## ORDERING INFORMATION

Pipe Size*	Voltage	Drain Only Product Number
1/4 NPTF	115 VAC, 50/60 Hz †	DED-115V-2
3/8 NPTF	115 VAC, 50/60 Hz †	DED-115V-3
1/2 NPTF	115 VAC, 50/60 Hz †	DED-115V-4
1/4 NPTF	24 VDC	DED-24V-2
3/8 NPTF	24 VDC	DED-24V-3
1/2 NPTF	24 VDC	DED-24V-4
1/4 NPTF	230 VAC	DED-230V-2
3/8 NPTF	230 VAC	DED-230V-3
1/2 NPTF	230 VAC	DED-230V-4

\* For BSPP threads, add W to the end of the product number.

† Specified range of 110 - 120 VAC