

GUARDSMAN II Modular Lubricators

BL70D Models Port Sizes: 1/4, 3/8, 1/2



Model Shown: BL70D-2

- ◆ Modular or inline mounting.
- ◆ Aluminum bowl with clear nylon sight glass. Bowl can be rotated for easy readability. Optional extended bowl.
- ◆ Sight-feed design.
- ◆ External adjusting knob; removable for tamper resistance.
- ◆ NPTF port threads; optional SAE or BSPP threads.

SPECIFICATIONS

Ambient/Media Temperature:

40° to 175°F (4° to 79°C).

Body: Zinc.

Bowl:

6-Ounce (180-ml) capacity aluminum bowl with clear nylon sight glass. Bowl can be rotated for easy readability. Optional 10-ounce (300-ml) extended aluminum bowl.

Bowl Ring: Nylon:

Fluid Media: Compressed air.

Inlet Pressure:

200 psig (14 bar) maximum.

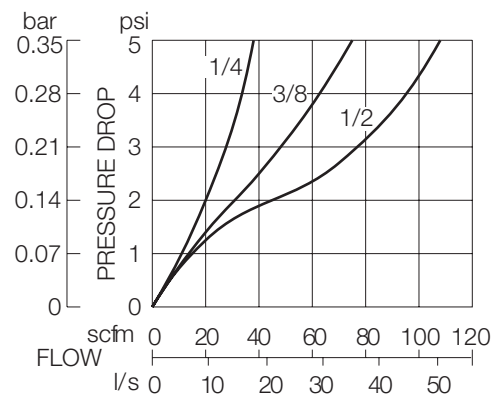
Oil Adjustment: External, tamper-resistant.

Seals: Nitrile.

Sight Dome: Nylon.

FLOW CHART

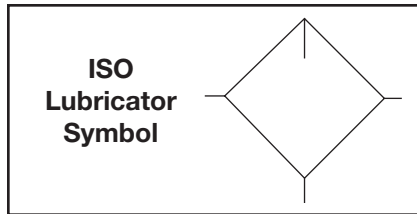
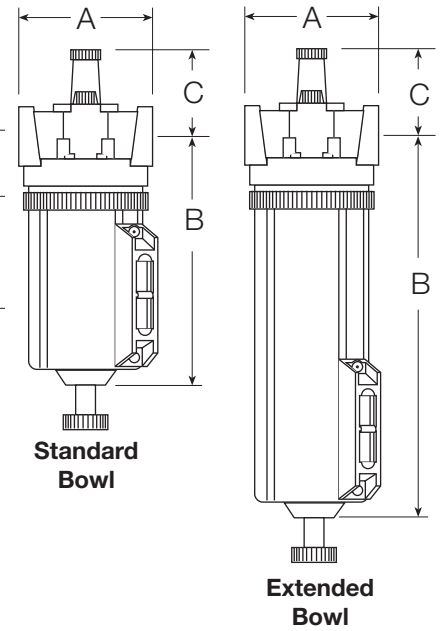
Inlet Pressure: 100 psig (7 bar)



Minimum Flow: 2 scfm (0.94 l/s)

DIMENSIONS inches (mm)

Bowl	A	B	C	Depth	Weight lb (kg)
Standard	2.7 (67)	5.9 (151)	1.8 (46)	2.4 (60)	1.25 (0.57)
Extended	2.7 (67)	8.9 (227)	1.8 (46)	2.4 (60)	1.50 (0.68)



ORDERING INFORMATION

Change the letters in the sample model number below to specify the lubricator you want.

BL 70D - 2 Y W

BOWL SIZE

- Standard 6-ounce bowl 70D
- Extended 10-ounce bowl 70DH

PORT SIZE

- 1/4 NPTF 2
- 3/8 NPTF 3
- 1/2 NPTF 4
- 9/16-18 UNF SAE S6

PORT TYPE

- NPTF Threads Leave Blank
- BSPF threads W

OPTIONS

- None Leave Blank
- Quick-fill Q-cap Q