

# High-Capacity VANGUARD Coalescing Filters

# BFCD201 Models Port Sizes: 3/4, 1



Model Shown: BFCD201-6

- ◆ Inline mounting.
- ◆ 0.3- $\mu\text{m}$ -rated coalescing filter element; optional 0.01- $\mu\text{m}$  element.
- ◆ Differential pressure gauge.
- ◆ Aluminum bowl.
- ◆ Internal automatic drain; optional manual drain.
- ◆ NPTF port threads; optional SAE or BSPP threads.

**APPLICATION NOTE:** A general purpose filter must be installed ahead of a coalescing filter to ensure good performance and to extend the life of the coalescing element.

## SPECIFICATIONS

**Ambient/Media Temperature:**

40° to 175°F (4° to 79°C).

**Body:** Aluminum.

**Bowl:** 35-Ounce (1050-ml) capacity aluminum bowl. Optional 62-ounce (1860-ml) extended aluminum bowl has higher capacity filter element for increased air flow.

**Bowl Drain:**

Internal automatic drain; optional manual drain.

**Bowl Ring:** Aluminum.

**Differential Pressure Gauge:** Large 106-35.

**Filter Element:** 0.3- $\mu\text{m}$ -rated borosilicate-glass-fiber coalescing element; optional 0.01- $\mu\text{m}$ -rated element.

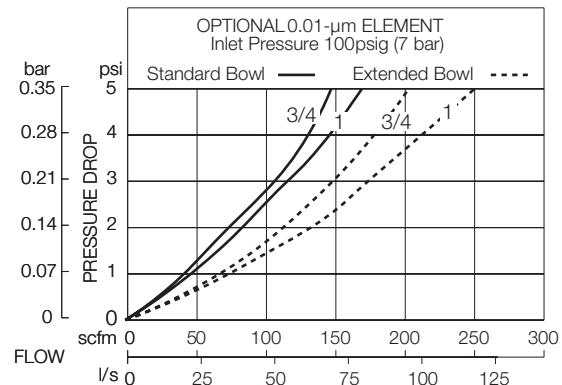
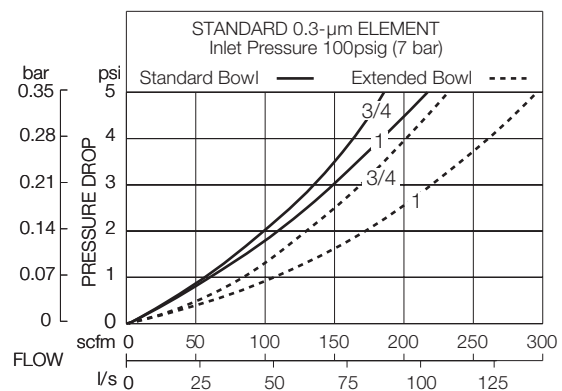
**Fluid Media:** Compressed air.

**Inlet Pressure:**

15 psig (1 bar) minimum with automatic drain. 200 psig (14 bar) maximum.

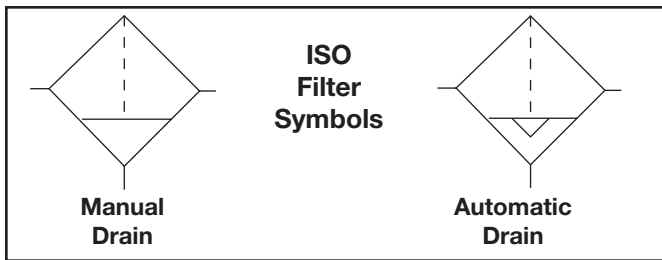
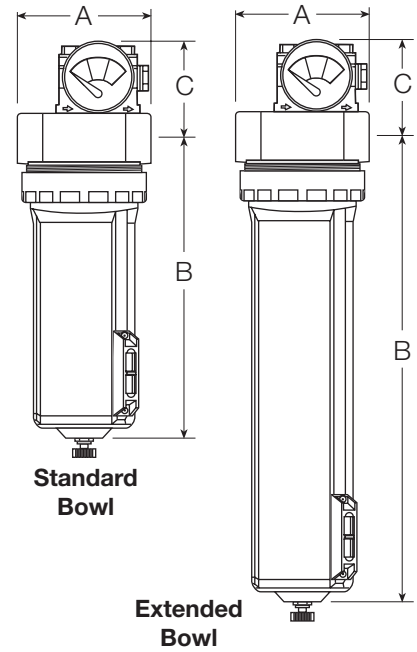
**Seals:** Nitrile.

## FLOW CHARTS



**DIMENSIONS** inches (mm)

Bowl	A	B	C	Depth	Weight lb (kg)
Standard	4.5 (114)	10.1 (257)	3.3 (83)	4.2 (106)	3.50 (1.59)
Extended	4.5 (114)	15.7 (399)	3.3 (83)	4.2 (106)	4.25 (1.91)



**REPLACEMENT FILTER ELEMENT KITS**

Model	Element Rating	Kit Number
Standard bowl	0.3- $\mu$ m (Std element)	A114-112
With E8 option	0.01- $\mu$ m	A114-112E8
Extended bowl	0.3- $\mu$ m	A114-113
With E8 option	0.01- $\mu$ m	A114-113E8

**ORDERING INFORMATION**

Change the letters in the sample model number below to specify the filter you want.

**B F C D 201 - 6 Y W**

**BOWL DRAIN**

Internal automatic drain .....B F C D  
Manual drain.....B F C

**BOWL SIZE & DIFFERENTIAL PRESSURE GAUGE**

Standard bowl & large gauge..... 201  
Standard bowl & small gauge .... 201S  
Standard bowl & large gauge with ... 201E  
normally open reed switch  
Standard bowl & large gauge with ... 201E2  
normally closed reed switch  
Extended bowl & large gauge ..... 201H  
Extended bowl & small gauge. .... 201HS  
Extended bowl & large gauge with ... 201HE  
normally open reed switch  
Extended bowl & large gauge with ... 201HE2  
normally closed reed switch

**PORT SIZE**

3/4 NPTF..... 6  
1 NPTF..... 8  
1-1/16-12 UNF SAE ..... S12  
1-5/16-12 UNF SAE ..... S16

**PORT TYPE**

NPTF Threads ..... Leave Blank  
BSP threads ..... W

**OPTIONS:** (More than one option can be chosen)

None ..... Leave Blank  
0.01- $\mu$ m-rated element..... E8  
Delete bowl drain; 1/4 NPT ..... LDC  
female port instead  
Delete differential pressure ..... NG  
gauge

**DIFFERENTIAL PRESSURE GAUGES**



Small Slide Gauge  
K103-151



Large Dual Face Gauge  
106-35



Large Dual Face Gauge  
with Reed Switch  
106-35E (Normally Open)  
106-35EC (Normally Closed)

# High-Capacity VANGUARD Coalescing Filters

# BFCD201 Models Port Sizes: 1-1/4, 1-1/2

Model Shown: BFCD201-10



- ◆ Inline mounting.
- ◆ 0.3- $\mu\text{m}$ -rated coalescing filter element; optional 0.01- $\mu\text{m}$  element.
- ◆ Differential pressure gauge.
- ◆ Aluminum bowl. Optional extended bowl with higher flow element.
- ◆ Internal automatic drain; optional manual drain.
- ◆ NPTF port threads; optional SAE or BSPP threads.

**APPLICATION NOTE:** A general purpose filter must be installed ahead of a coalescing filter to ensure good performance and to extend the life of the coalescing element.

## SPECIFICATIONS

**Ambient/Media Temperature:**

40° to 175°F (4° to 79°C).

**Body:** Aluminum.

**Bowl:** 35-Ounce (1050-ml) capacity aluminum bowl. Optional 62-ounce (1860-ml) extended aluminum bowl has higher capacity filter element for increased air flow.

**Bowl Drain:**

Internal automatic drain; optional manual drain.

**Bowl Ring:** Aluminum.

**Differential Pressure Gauge:** Large 106-35.

**Filter Element:** 0.3- $\mu\text{m}$ -rated borosilicate-glass-fiber coalescing element; optional 0.01- $\mu\text{m}$ -rated element.

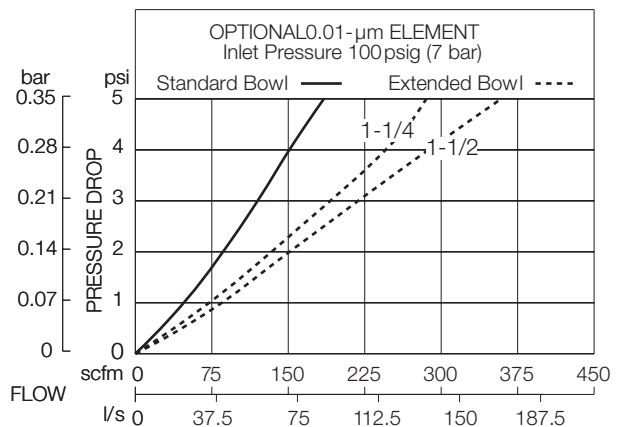
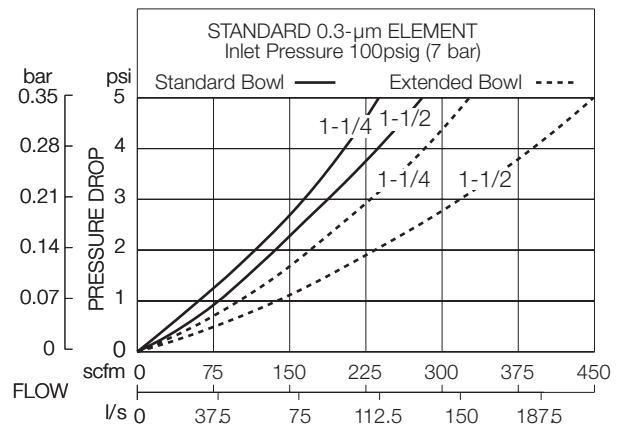
**Fluid Media:** Compressed air.

**Inlet Pressure:**

15 psig (1 bar) minimum with automatic drain.  
200 psig (14 bar) maximum.

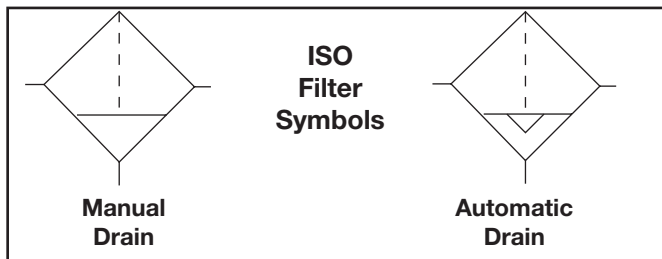
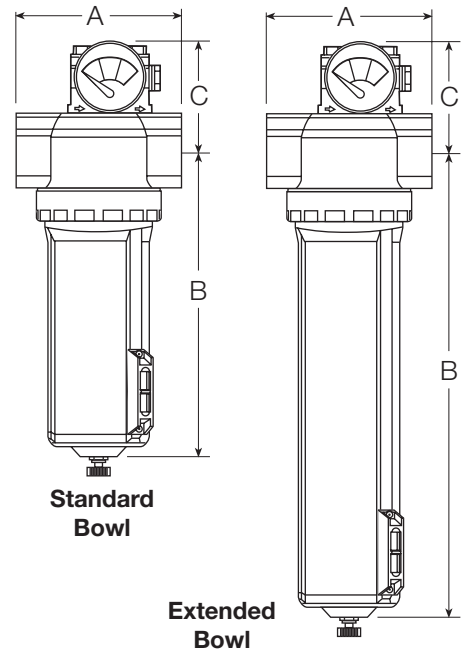
**Seals:** Nitrile.

## FLOW CHARTS



**DIMENSIONS** inches (mm)

Bowl	A	B	C	Depth	Weight lb (kg)
Standard	5.5 (140)	10.6 (270)	3.7 (94)	4.2 (106)	4.31 (1.94)
Extended	5.5 (140)	16.2 (412)	3.7 (94)	4.2 (106)	5.00 (2.27)



**REPLACEMENT FILTER ELEMENT KITS**

Element Type	Kit Number
0.3 µm Standard bowl (Std element)	A114-112
0.3 µm Extended bowl	A114-113
Models with E8 option:	
0.01 µm Standard bowl	A114-112E8
0.01 µm Extended bowl	A114-113E8

**ORDERING INFORMATION**

Change the letters in the sample model number below to specify the filter you want.

**BFCD 201 - 10 Y W**

**BOWL DRAIN**

Internal automatic drain .....BFCD  
Manual drain.....BFC

**BOWL SIZE & DIFFERENTIAL PRESSURE GAUGE**

Standard bowl & large gauge.....201  
Standard bowl & small gauge ..... 201S  
Standard bowl & large gauge ..... 201E  
with normally open reed switch  
Standard bowl & large gauge ..... 201E2  
with normally closed reed switch  
Extended bowl & large gauge .....201H  
Extended bowl & small gauge..... 201HS  
Extended bowl & large gauge ..... 201HE  
with normally open reed switch  
Extended bowl & large gauge ..... 201HE2  
with normally closed reed switch

**PORT SIZE**

1-1/4 NPTF ..... 10  
1-1/2 NPTF ..... 12  
1-5/8-12 UNF SAE ..... S20  
1-7/8-12 UNF SAE ..... S24

**PORT TYPE**

NPTF Threads ..... Leave Blank  
BSP threads ..... W

**OPTIONS:** (More than one option can be chosen)

None. .... Leave Blank  
0.01-µm-rated element..... E8  
Delete bowl drain; 1/4 NPT..... LDC female port instead  
Delete differential pressure..... NG gauge

**DIFFERENTIAL PRESSURE GAUGES**



Small Slide Gauge  
K103-151



Large Dual Face Gauge  
106-35



Large Dual Face Gauge  
with Reed Switch  
106-35E (Normally Open)  
106-35EC (Normally Closed)

Coalescing  
FILTERS