

# GUARDSMAN II Modular General Purpose Filters

# BFD70 Models Port Sizes: 1/4, 3/8, 1/2



Model Shown: BFD740-4

- ◆ Modular or inline mounting.
- ◆ 5- $\mu$ m-rated polyethylene filter element; optional sintered bronze elements.
- ◆ Metal bowl with clear nylon sight glass. Bowl can be rotated for easy readability.
- ◆ Optional extended bowl for greater sump capacity.
- ◆ Internal automatic drain; optional manual drain.
- ◆ NPTF port threads; optional SAE or BSPP threads.

## SPECIFICATIONS

### Ambient/Media Temperature:

40° to 175°F (4° to 79°C).

### Body:

Zinc.

**Bowl:** 6-Ounce (180-ml) capacity aluminum with clear nylon sight glass. Bowl can be rotated for easy readability. Optional 10-ounce (300-ml) extended aluminum bowl for greater sump capacity.

### Bowl Drain:

Internal automatic drain; optional manual drain.

### Bowl Ring:

Nylon.

**Filter Element:** 5- $\mu$ m-rated polyethylene; optional 5- $\mu$ m or 40- $\mu$ m sintered bronze.

**Fluid Media:** Compressed air.

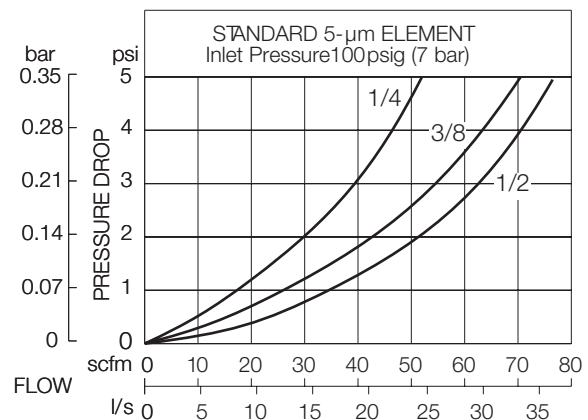
### Inlet Pressure:

Minimum: 15 psig (1 bar) with automatic drain.

Maximum: 200 psig (14 bar)

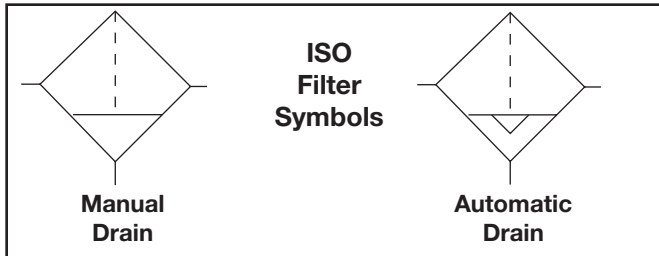
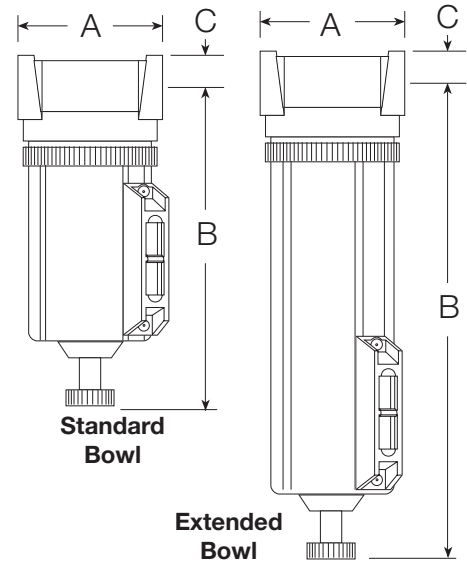
**Seals:** Nitrile.

## FLOW CHART



**DIMENSIONS** inches (mm)

Bowl	A	B	C	Depth	Weight lb (kg)
Standard	2.7 (67)	5.9 (151)	0.6 (16)	2.4 (60)	1.25 (0.57)
Extended	2.7 (67)	8.9 (227)	0.6 (16)	2.4 (60)	1.50 (0.68)



**REPLACEMENT FILTER ELEMENT KITS**

Element Type	Kit Number
5- $\mu$ m polyethylene (Std element)	A60F-03PE5
5- $\mu$ m bronze	KA60F-03E5
40- $\mu$ m bronze	KA60F-03E3

**ORDERING INFORMATION**

Change the letters in the sample model number below to specify the filter you want.

**B FD 70 - 2 Y W**

**BOWL DRAIN**

- Internal automatic drain ..... FD
- Manual drain..... F

**BOWL SIZE**

- Standard 6-ounce bowl ..... 70
- Extended 10-ounce bowl ..... 70H

**PORT SIZE**

- 1/4 NPTF..... 2
- 3/8 NPTF..... 3
- 1/2 NPTF..... 4
- 9/16-18 UNF SAE ..... S6

**PORT TYPE**

- NPTF Threads ..... Leave Blank
- BSPF threads ..... W

**OPTIONS**

- None ..... Leave Blank

**Sintered bronze filter element:**

- 5- $\mu$ m rating ..... E5
- 20- $\mu$ m rating ..... E4
- 40- $\mu$ m rating ..... E3